

## Overload indicator

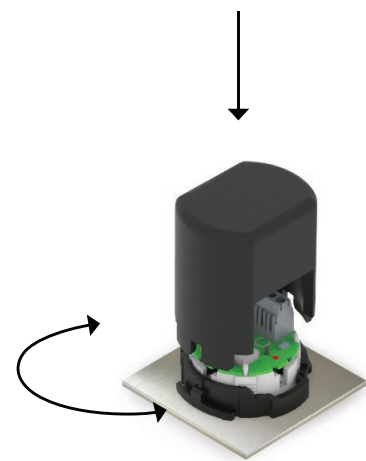


## IDS-S Overload indicator

- With integrated buzzer
- Standard size Ø 34 mm
- White LED with inlay film
- Studless mounting via locking ring
- Red LED visual overload indicator
- Acoustic Indicator

## Mounting/dismounting

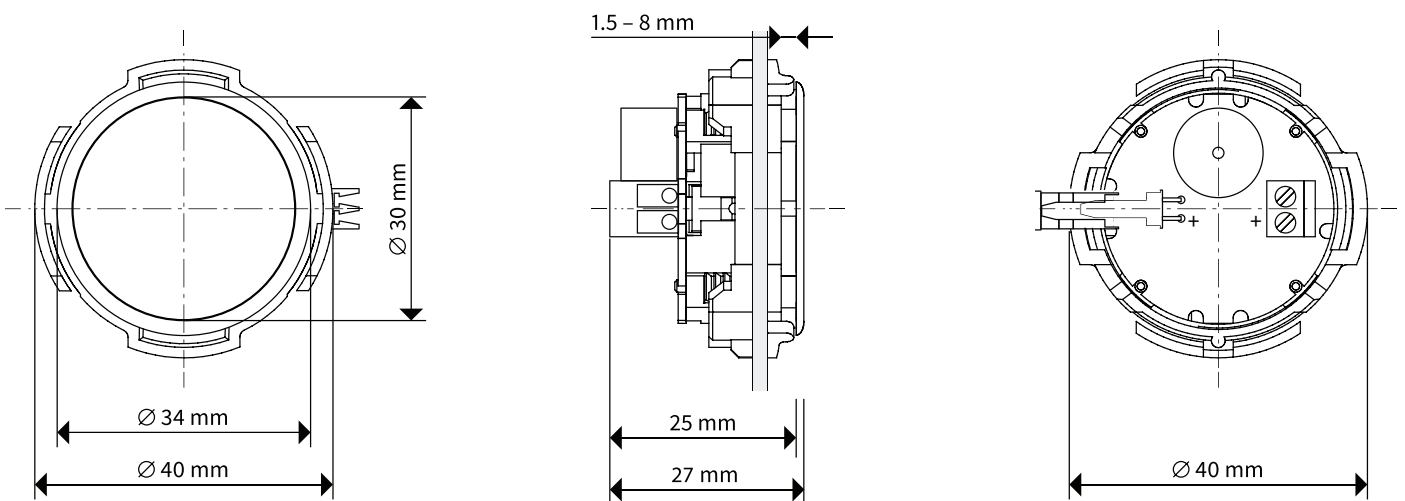
- Locking locking ring in clockwise direction.
- Unlocking locking ring in counterclockwise direction.



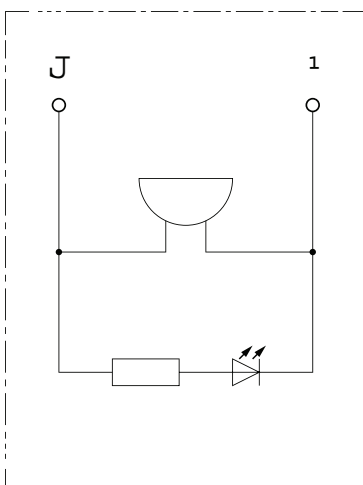
## Specifications

| Parameter          |                     | Units  | Specifications            |
|--------------------|---------------------|--------|---------------------------|
| Fixing             | Locking ring        | -      | □                         |
|                    | Faceplate thickness | mm     | 1,5 - 8                   |
|                    | Installation depth  | mm     | 25                        |
| Conectivity        | Screw terminal      | mm2    | 2 Polos (0,1-1)           |
|                    | IDC terminal        | AWG    | 2 Polos (28-26)           |
| Buzzer             |                     | dB (A) | 65                        |
| Temperature range  |                     | °C     | 0 - + 65                  |
| Standar compliance |                     | -      | EN 81-20                  |
| Housin rim         |                     | -      | Acero inoxidable pulido   |
| Plate              |                     | -      | Polycarbonato, cristalino |
| LED color          |                     | -      | Blanco                    |
| Voltage Range      |                     | VDC    | 5-30                      |
| Maximum current    |                     | Ma     | 35                        |

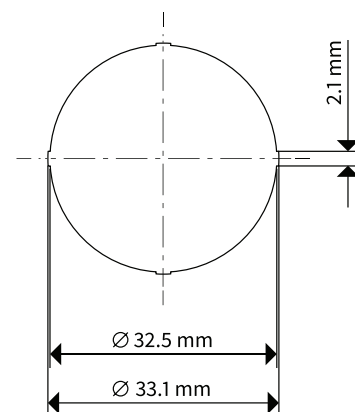
## Dimensional Drawings (mm)



## Working diagram



## Machining in button panel



Tolerance 0 mm/+0,05 mm

## Product Reference



| Ref.   | Model |
|--------|-------|
| 029045 | IDS-S |

For more information

[www.dinacell.com](http://www.dinacell.com)

Dinacell Electrónica S.L.  
Pol. Ind. Santa Ana C/ El Torno N°8  
CP 28522 Rivas Vaciamadrid, Madrid, ESPAÑA  
Tel. (+34) 913 001 435

**Document Ref: D2418-00**

**Publication Date: 29/10/2024**

Certified company



PYMEINNOVADORA

