



Rope sensor for  
elevators load control

Serie: **SW-GAMA**

Ø 8...16 mm

**MANUAL OF INSTALLATION**

## 1. INTRODUCTION

A load weighing device model SW-GAMA, groups of active load cell was developed to measure the weight on elevators and freight elevators.

In this new sensor whose placement is carried out individually in each cable, that you will find more advantages on the installation.

### Advantages of the sensor SW-GAMA

- Installation and maintenance at low cost.
- Fast and easy to install( *Installation takes only a few minutes, no need to waste time to screws*).
- Flexibility to place in an convenient position.

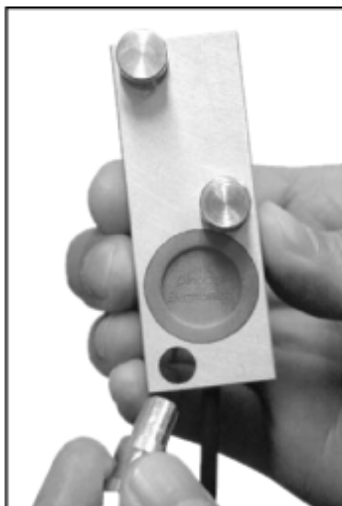
## 2. MODELS OF THE SERIE SW-GAMA

Models	Diameter of the cable	Range of load (standard)	N° of group of sensors
SW-GAMA1	Ø 8, 9, 10	600 kg/cable	2, 3, 4, 5, 6, 7, 8
SW-GAMA2	Ø 11, 12, 13	800 kg/cable	
SW-GAMA3	Ø 14, 15 16	1.600 kg/cable	

### Contents:

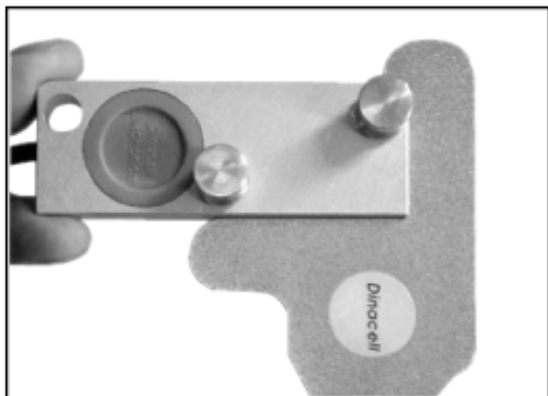
- a) Sensor SW-GAMA
- b) 3 pins of support (2 fix pins & 1 loose pin)
- c) Installation tools

## 3. INSTALLATION OF THE SENSOR SW-GAMA



In each cable must place a sensor.

The sensor has 2 fixed pins on it and once it is already place on the cable, the last pin must be introduce.



### Step 1

---

You could place the sensor on the tools or put directly the sensor on the cable and hold it by the tool.



### Step 2

---

Now fit the sensor on the cable and start to bend.



### Step 3

---

Then once the hole of the sensor is already at sight, introduce the third pin on the hole.



### Step 4

---

Finally upon introducing the last pin, the sensor is now ready to function.

Same procedure must be repeated to install the other sensor.

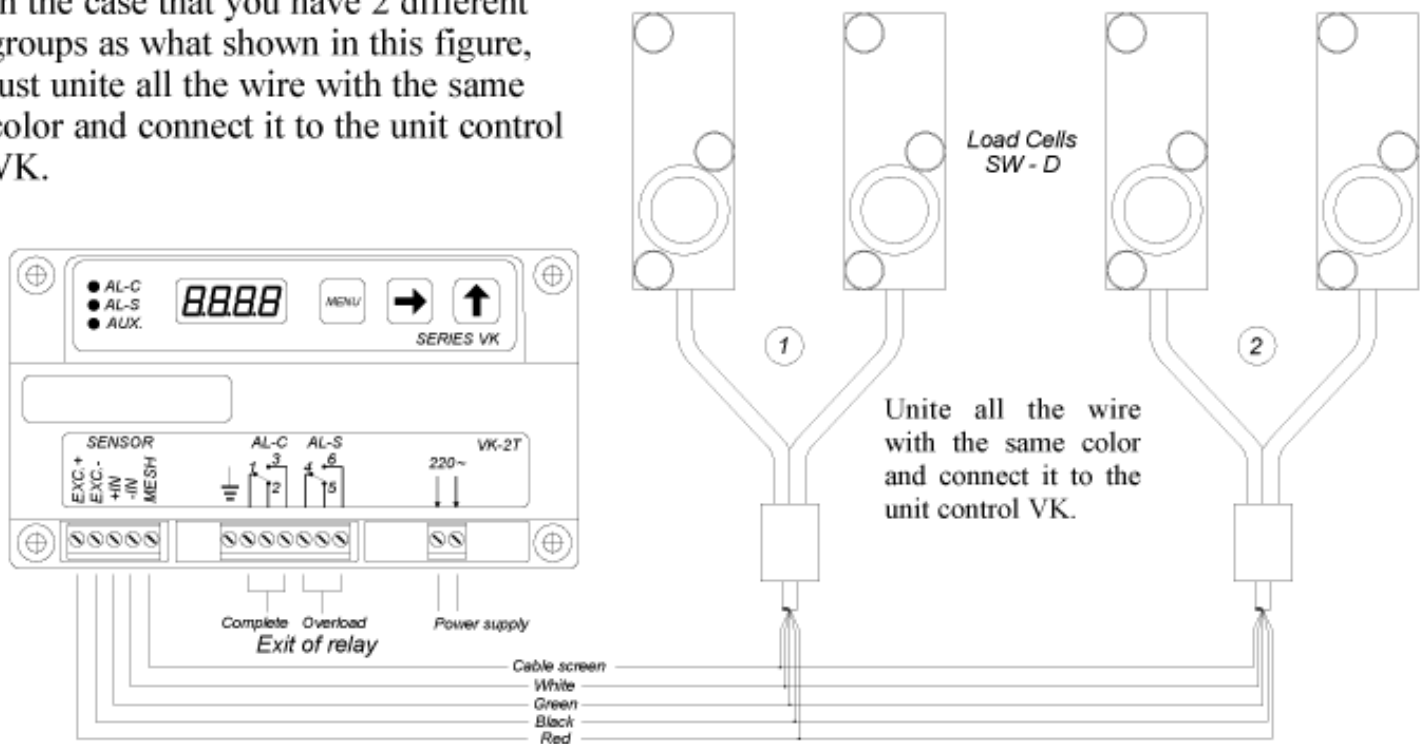
*Note:* The Sensor could placed in the position that you considers more suitable. You have to avoid the crash of one against the other.

## Step 5. Connection of the sensor (SW-Gama) to unit control (VK)

### Connection of the sensor (SW-Gama)

having 2 different groups:

In the case that you have 2 different groups as what shown in this figure, just unite all the wire with the same color and connect it to the unit control VK.



Once the sensor is already connected to the unit control VK, you could start to calibrate the unit (*Please look at the manual instruction of the unit VK for the calibration process*).

**Dinacell Electrónica, s.l.**

Poligono Industrial Santa Ana

C/ Torno, 8 - 28529 Rivas Vacia-Madrid - Tel. 913 001 435 - Fax: 913 001 645

E-mail: [dinacell@dinacell.com](mailto:dinacell@dinacell.com) - <http://www.dinacell.com>