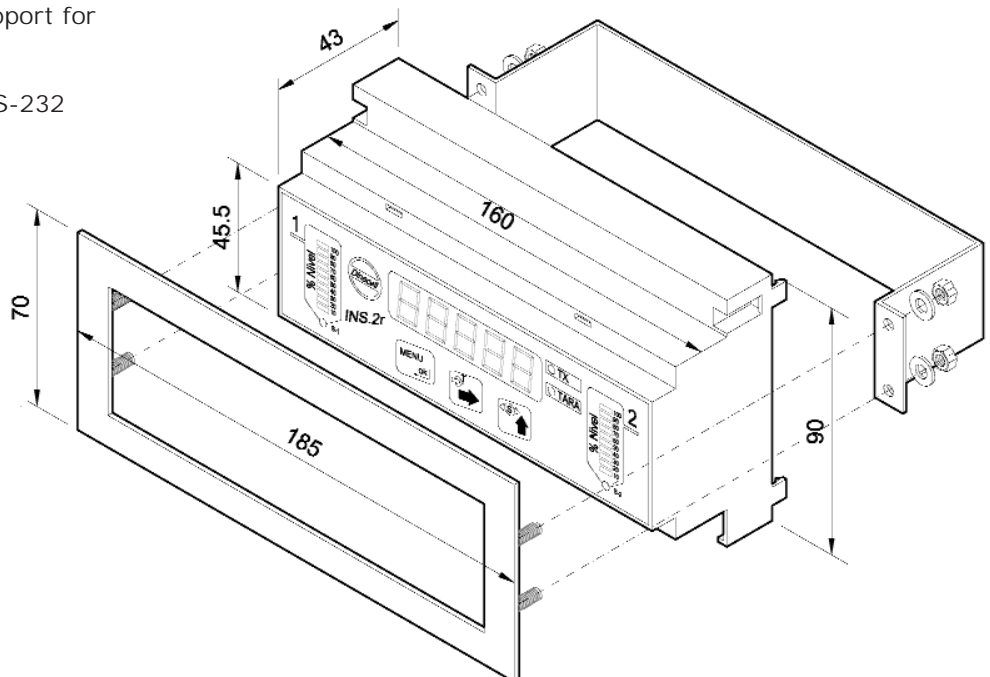


INS-2r

Silos level measure device



- Equipment specially designed for weighing and level measure in silos.
 - Two inputs with independent bar of percentage level.
 - Numeric display of 5 digits to visualize the weight of each silo, or the sum of both.
 - Internal resolution ± 32000 points.
 - Relay, communication, or optional output signal.
 - Keyboard programming.
 - Possibility of making a temporary zero to check a load or discharge.
 - Capacity to feed 8 cells.
 - Accessories: frame and support for panel placement.
- Options:
- Communication 485 or RS-232
 - Plate of 2 or 4 relays.



Dinacell Electrónica, S.L.

Pol. Ind. Santa Ana. C/ El Torno, 8. 28522 Rivas Vaciamadrid (Madrid) Spain
 Phone.: +34 91 300 14 35 Fax: +34 91 300 16 45. www.dinacell.com