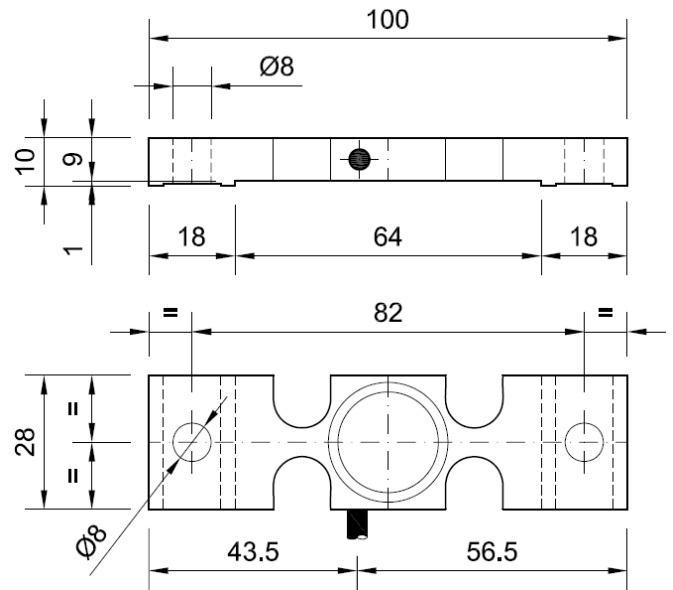


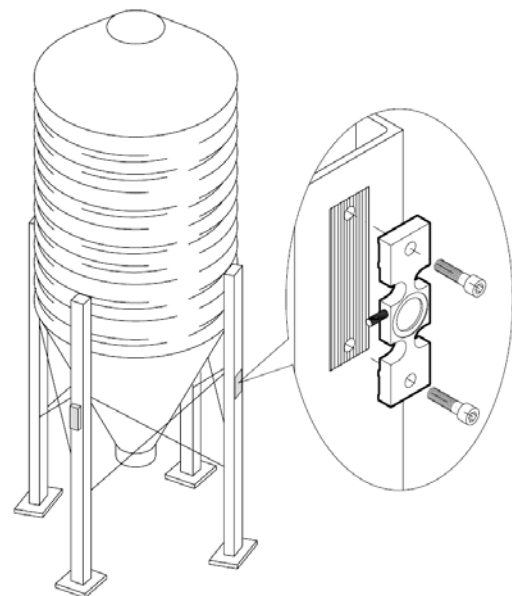
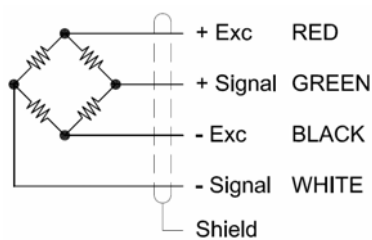
Deformation 3000µε

- Sensor designed to work on traction and compression, specially for weighing depending on the deformations of steel beams.
- Easy to install and suitable for any type of beam.
- Field of application: load limitation on metallic structures, and level measuring in silos, hoppers, bins...



Dimensions in mm

Wiring diagram



Technical characteristics

Sensibility	2 mV/V a 3000µε	Output resistance	350 ± 2 Ω
Tolerance adjust on zero	± 20 % F.S.	Minimum insulation resistance (V.Test = 100V)	4 GΩ
Tolerance on zero	± 10 % F.S.	Maximum deformation	150 % F.S.
Maximum excitation voltage	12 V	Cable type	ø4 - 4 x 0.14 mm ² Shielded
Accuracy	0.2 %	Cable length	6 m
Service temperature range	-20..60 °C.	Material	Alloy steel
Input resistance	350 ± 2 Ω	Surface treatment	Chemical nikel