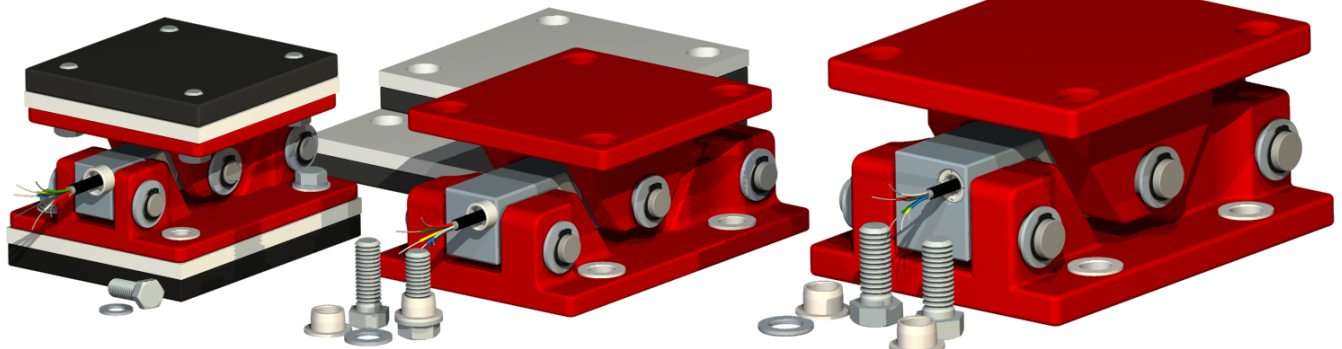


SK_ 1 ... 60 t



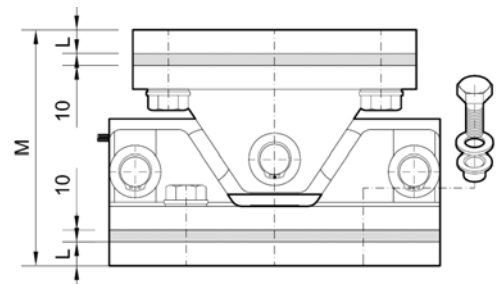
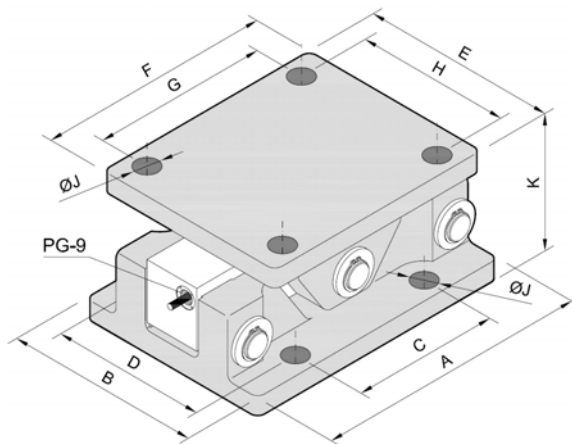
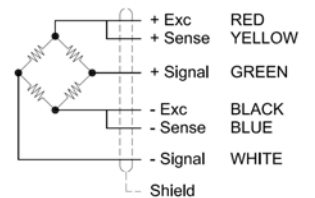
SKP
1 ... 6 tN

SKM
8 ... 15 tN

SKG
20 ... 60 tN

- Load cell specially designed for weighing silos, with anti-overturn support.
- Manufactured with double shear element. Made of stainless steel or alloy steel with chemical nickel protection.
- Support incorporates a low profile, treated with highly corrosion resistant paint.

6 WIRES CONNECTIONS



Model	Nominal load (nL) t.	Dimensions in (mm.)											
		A	B	C	D	E	F	G	H	J	K	L	M
SKP	1, 2, 3, 4, 5, 6	180	140	130	100	140	140	100	100	18	75	15	125
SKM	8, 10, 15	240	160	130	120	160	170	130	120	21.5	100	15	150
SKG	20, 25, 30, 40, 50, 60	280	200	150	158	200	240	180	158	25	138	20	198

Technical characteristics

Sensibility	2 mV/V	Compensated temperature range	-10..40 °C
Tolerance sensitivity adjustment	± 0.1 % F.S.	Input resistance	760 ± 20 Ω
Tolerance adjust on zero	± 1.5 % F.S.	Output resistance	700 ± 4 Ω
Maximum excitation voltage	24 V	Minimum insulation resistance (V.Test = 100V)	4 GΩ
Non linearity	± 0.02 % F.S.	Maximum working load	150 % F.S.
Non repeability	± 0.012 % F. S.	Load limit without loss of characteristics	180 % F.S.
Combined error	± 0.029 % F. E.	Breaking load	300 % F.S.
Histeresys	± 0.033 % F. S.	Cable type (Shielded)	6 x 0.25 mm ² / 8 m.
Creep in 30 minutes	± 0.025 % F. S.	Protection class	IP67
Temperature effect on sensitivity	± 0.023 % F. S.	Material (load cell)	Alloy steel
Temperature effect on zero	± 0.018 % / 5 °C	Surface treatment	Chemical nikel