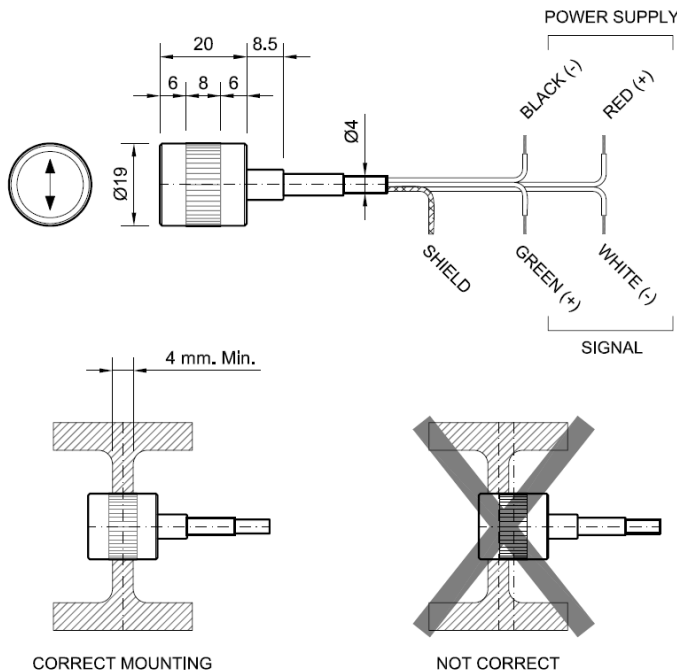




Deformation 1000µε

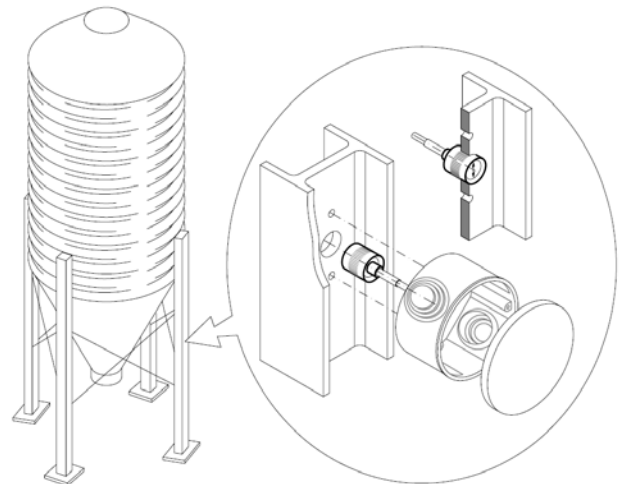
- Load sensor specially designed to measure deformations in steel beams.
- The most usual applications of the sensor SD-1000 are for the level measure in silos, chutes, bins... supported by metallic structures.

Sensor content	Installation tools
<ul style="list-style-type: none"> • 1 SD1000 Sensor • 1 Connection box • 2 Screw hex. M6x30 • 2 Nut M6 • 2 Washer M6 	<ul style="list-style-type: none"> • SD1000 tool • Drill Ø6.5 mm. • Drill Ø10 mm. • Drill Ø18.5 mm • Reamer Ø19 mm.H7

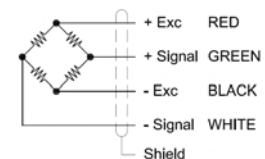


Dimensions in mm.

Mounting detail



Wiring diagram



Technical characteristics

Sensibility	2 mV/V / 1000µε	Temperature effect on zero	<0.024 % / 5°C
Tolerance adjust sensitivity	1%	Compensated margin of temperature	-10°C / +40°C
Tolerance adjust on zero	10 % F.S.	Input resistance	700 ± 2 Ω
Excitation voltage	12 V	Output resistance	700 ± 2 Ω
Non linearity	<0.034 % F.S.	Insulation resistance (V. Test = 100V)	>5000 10 ⁶ Ω
Non repeability	<0.034 % F.S.	Maximun deformación	200% F.S.
Combined error	<0.07 % F.S.	Breaking load	>500 %
Histeresys	<0.07 % F.S.	Material	Stainless steel
Temperature effect on sensitivity	<0.034 % F.S.		