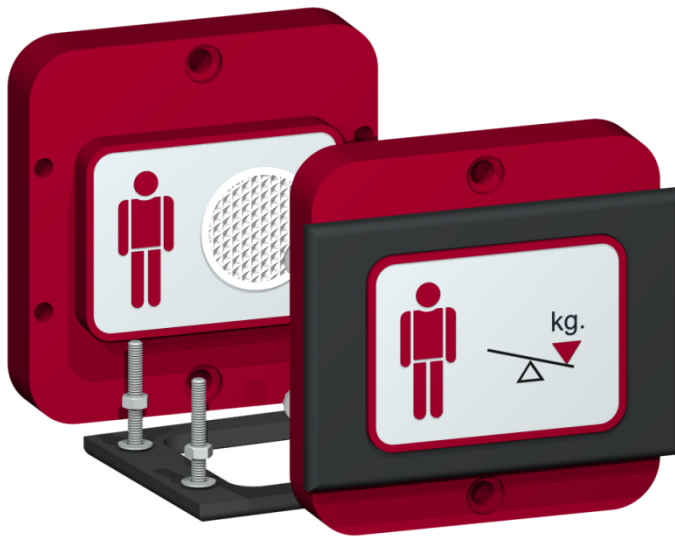


MBD & MBL

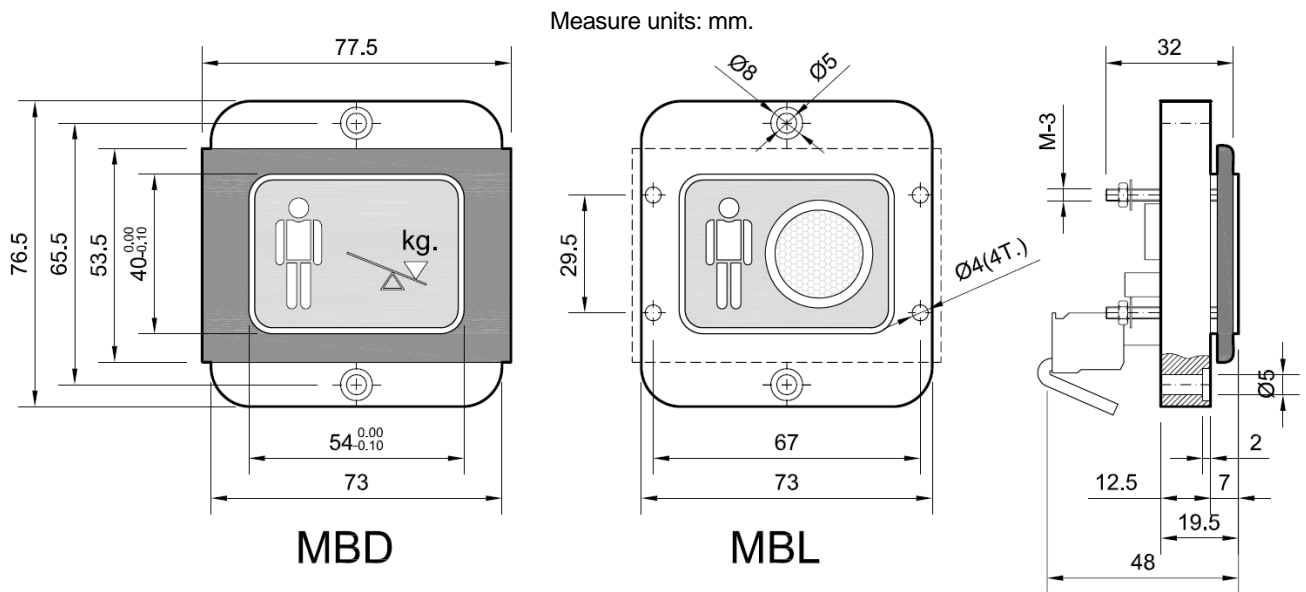


Cabin display designed to see the progressive charge (luminosity) in the elevator.

MBD Visual and sound indicator.

MBL Visual and sound indicator with emergency lighting.

- Visual indicator of full load.
- Visual and sound indicator of overload.
- 2 wire connections without polarity.
- Front panel made of stainless steel.



Note:

For other designs and special measures, contact with our commercial department.

- Installation:
 - Furred with the decorative panel (rear fixing).
 - Fixed with the black plastic frame supplied by Dinacell (available on request), sandwich type.