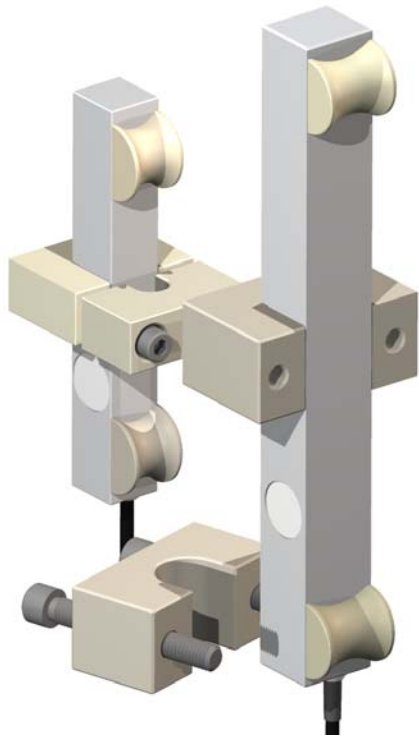


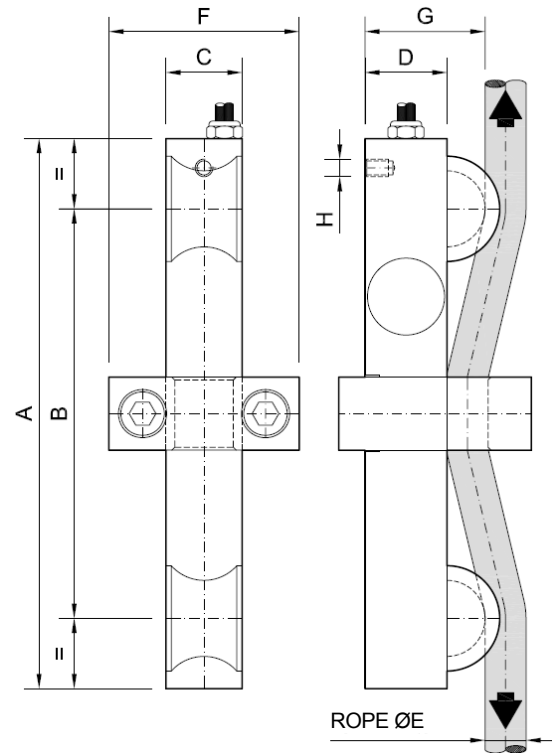
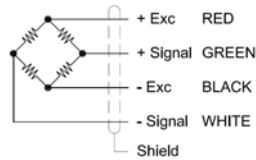
**LMP 1 .. 7t**  
**LMG 8 .. 40t**



Optional USB connector



Wiring diagram



Dimensions in mm

- Load limiter designed for measuring the tension on steel ropes that work on traction.

**Remarks:**  
To order this sensor it is necessary to specify the following details:

- Ø of ropes .....

Mod.	nL (t)	A	B	C	D	ØE	F	G	H
LMP	1, 2, 3.5, 7	188	140	26	28	7 .. 26	65	41	M-6
LMG	8, 10, 15, 20	305	260	36	32	12 .. 44	88	45	M-8
	25, 30, 40	400	350	42	36			49.5	

## Technical characteristics

Nominal load (nL)	LMP 1, 2, 3.5, 7 t	Service temperature range	-20 ... 60 °C
	LMG 8, 10, 15, 20, 25, 30, 40 t	Compensated temperature range	-10..40 °C
Sensibility	1 ... 2 mV/V	Minimum insulation resistance (V.Test = 100V)	4 GΩ
Tolerance on zero	±10 % F.S.	Maximum working load	150 % F.S.
Non linearity (in working range)	0.108 % F.S.	Protection class	IP65
Accuracy	0.2 % F.S.	Cable type	Flexible, 4x0.22 mm <sup>2</sup> Ø6
Maximum excitation voltage	12 V	Cable length	5 m.
Input resistance	350 ... 400 Ω	Material	Alloy steel
Output resistance	350 ±1.5 Ω	Surface treatment	Chemical nikel