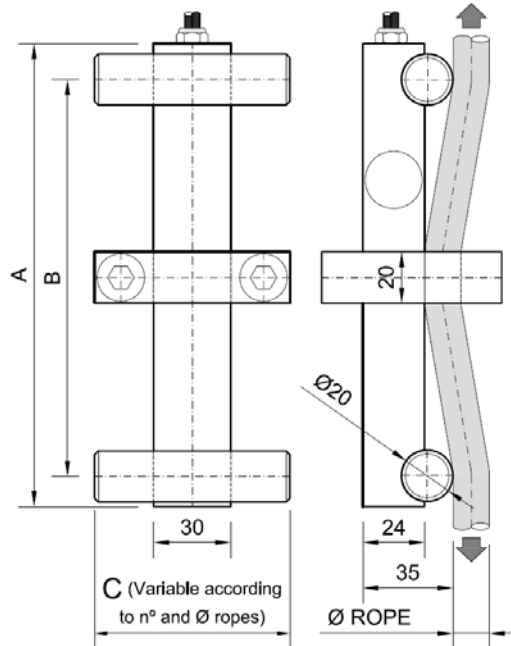
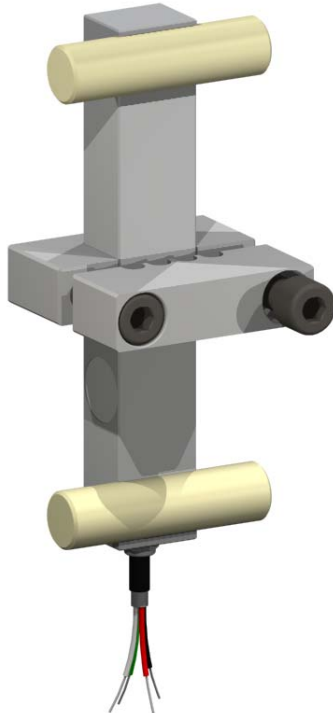
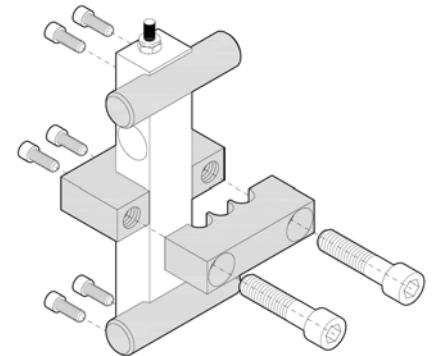


## LCA 1.6 ... 6 t

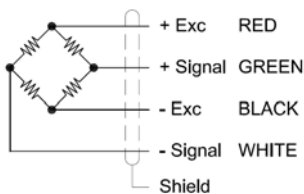


Dimensions in mm

Cn. (t.)	A	B
1.6	166	140
4		
6	180	154



Wiring diagram



Optional USB connector



Load limiter design for measuring the load on several steel ropes (traction ropes, lifts, elevators...)

Nº of ropes	Ø of ropes (mm)			
	3 .. 5	6 .. 8	8 .. 13	14 .. 16
1	76			
2	76			
3				96
4	76	96	126	
5				156
6	96	126	186	
7	-	126	156	186
8	-			

**Remarks:**

To manage the orders, please specify the following information:

- Nº of ropes .....
- Ø of ropes .....

### Technical characteristics

Nominal load (nL)	1.6, 4, 6 t	Input resistance	350.. 400 Ω
Sensibility	1.4 ... 2.0 mV/V	Output resistance	350Ω ± 2 Ω
Tolerance adjust on zero	10 % F.S.	Maximum working load	150% F.S.
Non linearity	0.11 % F.S.	Load limit without loss of characteristics	200 % F.S.
Accuracy	0.25 % F.E.	Protection class	IP 65
Rango de temperatura de servicio	-20 ... 60 °C	Cable type	Flexible, 4x0.22 mm <sup>2</sup> Ø6
Maximum excitation voltage	12V.	Cable length	2 m.
Insulation resistance (V. Test = 100V)	>4 GΩ	Material	Aluminum