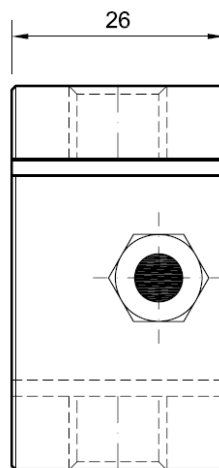
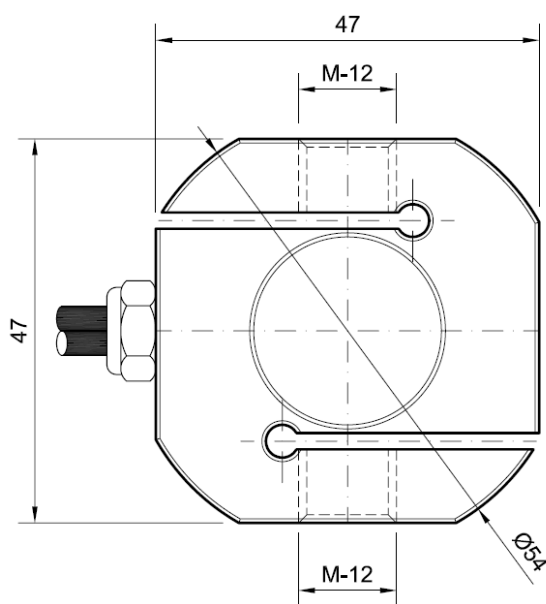


CTCM 100 ...1000 kg.

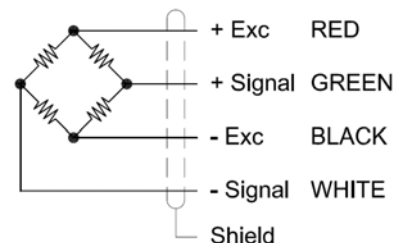


- Load cells specially designed to work in traction and compression.
- Manufactured in alloy steel or stainless steel. Anticorrosion treatment of chemical nickel (only alloy steel).



Dimensions in mm

Wiring diagram



Technical characteristics

Nominal load (nL) kg.	100, 150, 200, 250, 300, 500, 600, 700, 750, 800, 1000	Temperature effect on zero	0.020 % / 5°C
		Minimum insulation resistance (V.Test = 100V)	4 GΩ
Sensibility	2.0 (mV/V) ± 0.1 %	Input impedance	380Ω ± 10 Ω
Tolerance adjust on zero	1.5 % F.S.	Output impedance	350Ω ± 1.5 Ω
Maximum excitation voltage	12V.	Load limit without loss of characteristics	150 % F.S.
Histeresys error	0.025 % F.S.	Minimum breaking load	250% F.S
Creep (over 30 minutes)	0.021 % F.S.	Protection class	IP 67
Maximum linearity error	0.023 % F.S	Cable type	Flexible, Ø6 4x0.22 mm ²
Compensated temperature range	-10 ... 40 °C	Cable length	4 m.
Service temperature range	-20 ... 60 °C	Material	Alloy steel / Stainless steel
Storage temperature range	-20 ... 70 °C	Surface treatment	Chemical nikel (only alloy steel)
Temperature effect on sensitivity	0.028 % F.S.		