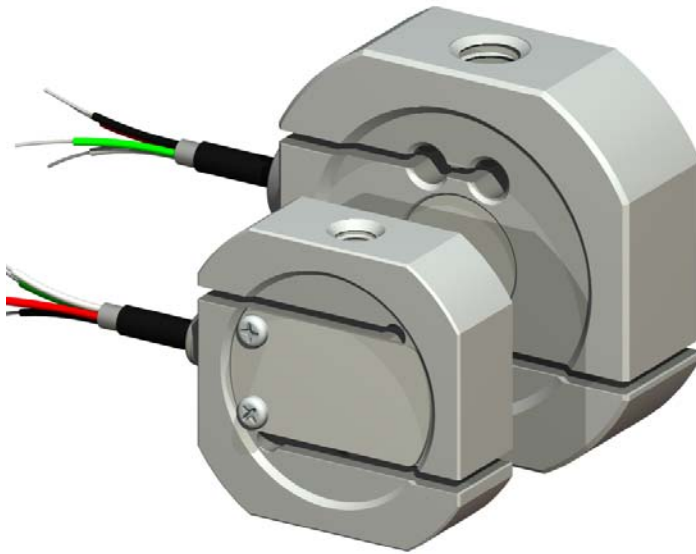
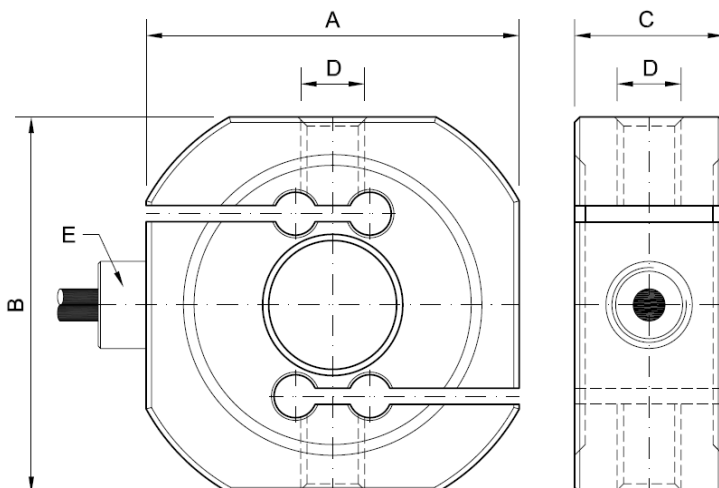


CTC 15 ...5000 kg.



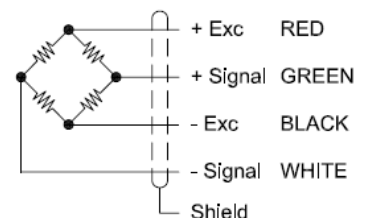
Load cells specially designed to work in traction and compression.

| nL (kg) | A | B | C | D | E |
|--|----|----|----|----------|------|
| 15 25 50 75 | 60 | 60 | 23 | M-10 | - |
| 100 150 200 250 300 500 | 70 | 70 | 29 | M-12 | PG-9 |
| 750 1000 1500 2000 2500 | 80 | 80 | 29 | M-16 | PG-9 |
| 3000 5000 | 94 | 89 | 46 | M-22x2.5 | PG-9 |



Dimensions in mm.

Wiring diagram



| Technical characteristics | | | |
|-----------------------------------|--------------------|---|-------------------------------------|
| Nominal load (nL) | 15 5000 kg. | Minimum insulation resistance (V.Test = 100V) | 4 GΩ |
| Sensibility | 2.0 (mV/V) ± 0.1 % | Input impedance | 380Ω ± 10 Ω |
| Tolerance adjust on zero | 1.5 % F.S. | Output impedance | 350Ω ± 1.5 Ω |
| Maximum excitation voltage | 12V. | Load limit without loss of characteristics | 150 % F.S. |
| Hysteresis error | 0.023 % F.S. | Minimum breaking load | 250% F.S |
| Creep (over 30 minutes) | 0.019 % F.S. | Protection class | IP 67 |
| Maximum linearity error | 0.021 % F.S. | Cable type | Flexible, Ø6 4x0.22 mm ² |
| Compensated temperature range | -10 ... 40 °C | Cable length | 4 m. |
| Service temperature range | -20 ... 60 °C | Material | 15 75 Kg. Aluminum |
| Storage temperature range | -20 ... 70 °C | | 75 5000 Kg. Alloy steel |
| Temperature effect on sensitivity | 0.026 % F.S. | Surface treatment | 15 75 Kg. Natural |
| Temperature effect on zero | 0.015 % / 5°C | | 75 5000 Kg. Chemical nickel |